

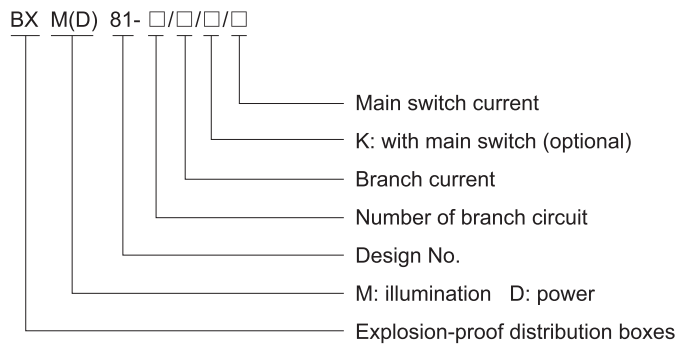
## Distribution Boxes

### BXM(D)81 Series Explosion-proof Illumination (Power) Distribution Boxes (Ex d IIB)



- ◆ Explosion protection to
  - CENELEC
  - IEC
  - NEC
- ◆ Can be used in
  - Zone 1 and Zone 2
  - Zone 21 and Zone 22
  - Class I, Zone 1 and Zone 2
  - Class I, Division 1, Groups C, D
- ◆ Flameproof enclosure (Ex d IIB)
- ◆ Main switch and branch switch are operated with external rotary actuator.
- ◆ Internal wiring to the terminal is finished.
- ◆ International brand of terminal.
- ◆ Copper-free aluminium (carbon steel), powder coated surface, or stainless steel.
- ◆ Entries plugged. Cable glands on request (see P7/20~27).
- ◆ Special requirements on request.

#### ■ Catalogue number logic



# Zones 1&2; 21&22

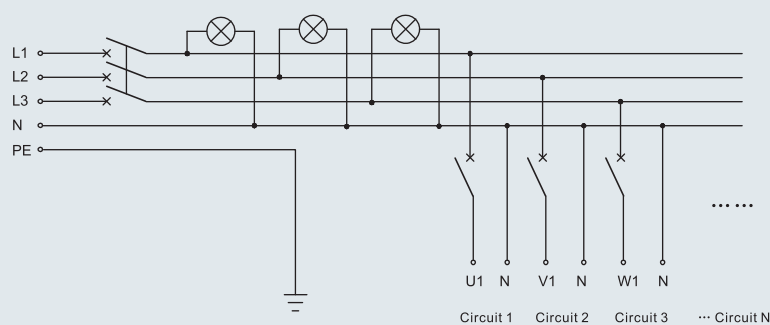
## Distribution Boxes

## BXM81 Series Explosion-proof Illumination Distribution Boxes (Ex d IIB)

Technical data	
Explosion-proof illumination distribution boxes	
BXM81-□/□/□/□	
<b>Explosion protection</b>	
Gas explosion protection	⊕ II 2 G Ex d IIB T6 Gb
Dust explosion protection	⊕ II 2 D Ex tb IIIC T80°C Db IP66
<b>Certificates</b>	LCIE 11 ATEX 3064X; IECEx CQM 11.0032X RU C-CN.ГБ05.B.00345 (CU-TR); RU C-CN. Гб08.B.01257 KZ.7500525.22.01.00373 (CU-TR)
<b>Conformity to standards</b>	EN 60079-0, EN 60079-1, EN 60079-31 IEC 60079-0, IEC 60079-1, IEC 60079-31
<b>General power supply</b>	Rated voltage: max. 690V AC 50/60Hz; Rated current: max. 100A
<b>Branch current</b>	1A, 2A, 4A, 6A, 10A, 16A, 20A, 25A, 32A
<b>Exposed fastener</b>	Stainless steel
<b>Enclosure material</b>	Copper-free aluminium (carbon steel), powder coated surface, or stainless steel
<b>Enclosure colour</b>	Window grey (RAL7040)
<b>Built-in components</b>	
Main switch	MCB (miniature circuit breaker) or MCCB (moulded case circuit breaker) Note: earth leakage protection on request
Branch switch	MCB (miniature circuit breaker) Note: earth leakage protection on request
Terminal	International brand of terminal
Indicator	Red, green, yellow
<b>Degree of protection</b>	IP66, IP67 (optional)
<b>Ambient temperature</b>	-60°C~+55°C
<b>Cable entries</b>	Standard M□ x 1.5 plug (see the Selection table on P6/16)
<b>Cable gland (optional)</b>	DQM-II (Ex d) or DQM-III (Ex d) is recommended. Please see P7/20~27
<b>Entry direction</b>	Bottom
<b>Mounting</b>	Surface type (standard) Pedestal type (optional)



## Electrical schematic diagram



BXM81 Series explosion-proof illumination distribution boxes

## Distribution Boxes

## BXM81 Series Explosion-proof Illumination Distribution Boxes (Ex d IIB)

Selection table of BXM81 series explosion-proof illumination distribution boxes

Version	Description					Cable entries
	Main switch	Number of branch circuit	Branch switch	Branch current	Number of indicator	
BXM81-4/□/K/□	MCB or MCCB	4	MCB 1P/2P	1A 2A 4A 6A 10A 16A 20A 25A 32A On request	3	1 x M32 x 1.5 + 4 x M25 x 1.5
BXM81-6/□/K/□		6			3	1 x M40 x 1.5 + 6 x M25 x 1.5
BXM81-8/□/K/□		8			3	1 x M40 x 1.5 + 8 x M25 x 1.5
BXM81-10/□/K/□		10			3	1 x M40 x 1.5 + 10 x M25 x 1.5
BXM81-12/□/K/□		12			3	1 x M40 x 1.5 + 12 x M25 x 1.5
BXM81-4/□	—	4	MCB 1P/2P	1A 2A 4A 6A 10A 16A 20A 25A 32A On request	3	1 x M40 x 1.5 + 4 x M25 x 1.5
BXM81-6/□		6			3	1 x M40 x 1.5 + 6 x M25 x 1.5
BXM81-8/□		8			3	1 x M40 x 1.5 + 8 x M25 x 1.5
BXM81-10/□		10			3	1 x M40x 1.5 + 10 x M25 x 1.5
BXM81-12/□		12			3	1 x M40 x 1.5 + 12 x M25 x 1.5

**Note**

1. Please specify the number and size of cable entries and sides of the enclosure to be fitted.
2. Electrical schematic diagram shall be provided by user. Photo switch, AC contactor, thermal relay or others on request.
3. Please specify mounting type when ordering.
4. Rainproof canopy on request.



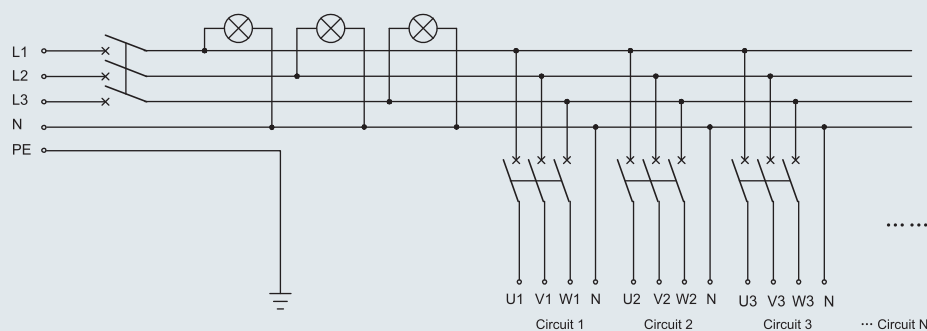
## Distribution Boxes

## BXD81 Series Explosion-proof Power Distribution Boxes (Ex d IIB)

Technical data	
Explosion-proof power distribution boxes	BXD81-□/□/□/□
<b>Explosion protection</b>	
Gas explosion protection	⊕ II 2 G Ex d IIB T6 Gb
Dust explosion protection	⊕ II 2 D Ex tb IIIC T80°C Db IP66
<b>Certificates</b>	LCIE 11 ATEX 3064X; IECEX CQM 11.0032X RU C-CN.ГБ05.B.00345 (CU-TR); RU C-CN. ГБ08.B.01257 KZ.7500525.22.01.00373 (CU-TR)
<b>Conformity to standards</b>	EN 60079-0, EN 60079-1, EN 60079-31 IEC 60079-0, IEC 60079-1, IEC 60079-31
<b>General power supply</b>	Rated voltage: max. 690V AC 50/60Hz; Rated current: max. 630A
<b>Branch current</b>	1A, 2A, 4A, 6A, 10A, 16A, 20A, 25A, 32A, 40A, 50A, 63A 80A, 100A, 125A, 160A, 200A, 250A, 320A, 400A
<b>Exposed fastener</b>	Stainless steel
<b>Enclosure material</b>	Copper-free aluminium (carbon steel), powder coated surface, or stainless steel
<b>Enclosure colour</b>	Window grey (RAL7040)
<b>Built-in components</b>	
Main switch	MCB (miniature circuit breaker) or MCCB (moulded case circuit breaker) Note: earth leakage protection on request
Branch switch	MCB (miniature circuit breaker) or MCCB (moulded case circuit breaker) Note: earth leakage protection on request
Terminal	International brand of terminal
Indicator	Red, green, yellow
<b>Degree of protection</b>	IP66, IP67 (optional)
<b>Ambient temperature</b>	-60°C~+55°C
<b>Cable entries</b>	Standard M□ x 1.5 plug (see the Selection table on P6/18)
<b>Cable gland (optional)</b>	DQM-II (Ex d) or DQM-III (Ex d) is recommended. Please see P7/20~27
<b>Entry direction</b>	Bottom
<b>Mounting</b>	Surface type (standard) Pedestal type (optional)



## Electrical schematic diagram



BXD81 Series explosion-proof power distribution boxes

## Distribution Boxes

## BXD81 Series Explosion-proof Power Distribution Boxes (Ex d IIB)

Selection table of BXD81 series explosion-proof power distribution boxes

Version	Description					Cable entries
	Main switch	Number of branch circuit	Branch switch	Branch current	Number of indicator	
BXD81-4/□/K/□	MCB or MCCB  Current: max. 630A	4	MCB or MCCB 3P	1A, 2A 4A, 6A 10A, 16A 20A, 25A 32A, 40A 50A, 63A 80A, 100A 125A, 160A 200A, 250A 320A, 400A On request	3	1 x M50(M63, M75, M90) x 1.5 + 4 x M25(M32, M40, M50, M63) x 1.5
BXD81-6/□/K/□		6			3	1 x M50(M63, M75, M90) x 1.5 + 6 x M25(M32, M40, M50, M63) x 1.5
BXD81-8/□/K/□		8			3	1 x M50(M63, M75, M90) x 1.5 + 8 x M25(M32, M40, M50, M63) x 1.5
BXD81-10/□/K/□		10			3	1 x M50(M63, M75, M90) x 1.5 + 10 x M25(M32, M40, M50, M63) x 1.5
BXD81-12/□/K/□		12			3	1 x M50(M63, M75, M90) x 1.5 + 12 x M25 x 1.5
BXD81-4/□	—	4	MCB or MCCB 3P	1A, 2A 4A, 6A 10A, 16A 20A, 25A 32A, 40A 50A, 63A 80A, 100A 125A, 160A 200A, 250A 320A, 400A On request	3	1 x M50(M63, M75, M90) x 1.5 + 4 x M25(M32, M40, M50, M63) x 1.5
BXD81-6/□		6			3	1 x M50(M63, M75, M90) x 1.5 + 6 x M25(M32, M40, M50, M63) x 1.5
BXD81-8/□		8			3	1 x M50(M63, M75, M90) x 1.5 + 8 x M25(M32, M40, M50, M63) x 1.5
BXD81-10/□		10			3	1 x M50(M63, M75, M90) x 1.5 + 10 x M25(M32, M40, M50, M63) x 1.5
BXD81-12/□		12			3	1 x M50(M63, M75, M90) x 1.5 + 12 x M25(M32, M40, M50, M63) x 1.5

**Note**

1. Please specify the number and size of cable entries and sides of the enclosure to be fitted.
2. Electrical schematic diagram shall be provided by user. Photo switch, AC contactor, thermal relay or others on request.
3. Please specify mounting type when ordering.
4. Rainproof canopy on request.

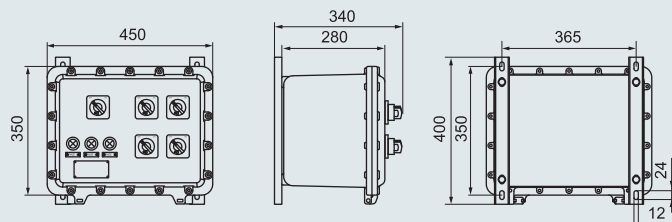


## Distribution Boxes

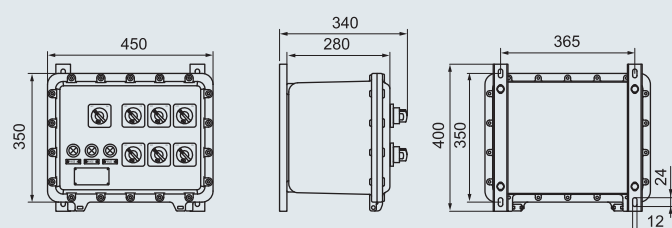
## BXM81 Series Explosion-proof Illumination Distribution Boxes (Ex d IIB)

**Dimension drawings** (all dimensions in mm) - subject to alteration

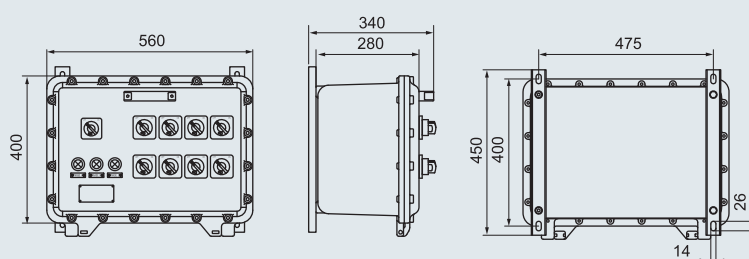
**Note:** The following drawings are suitable for copper-free aluminium products



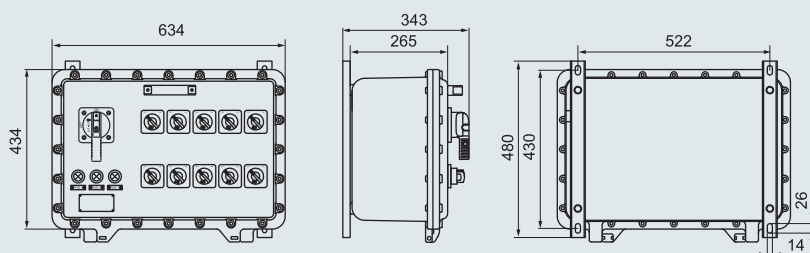
BXM81-4/□/K/□



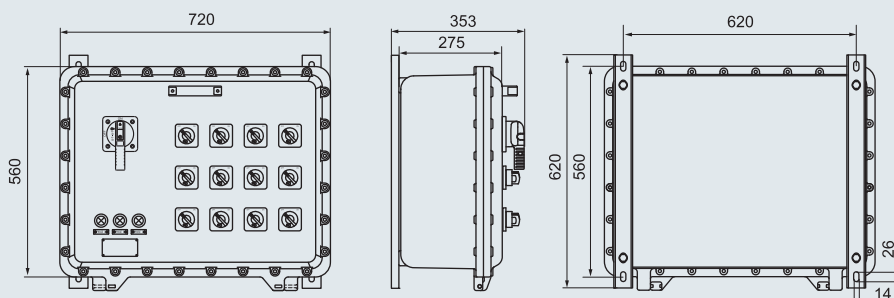
BXM81-6/□/K/□



BXM81-8/□/K/□



BXM81-10/□/K/□



BXM81-12/□/K/□

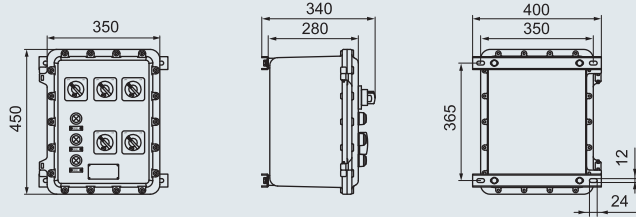


## Distribution Boxes

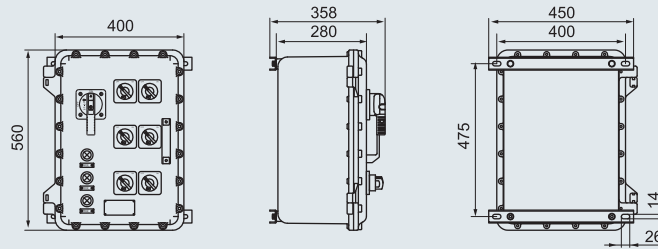
### BXD81 Series Explosion-proof Power Distribution Boxes (Ex d IIB)

#### Dimension drawings (all dimensions in mm) - subject to alteration

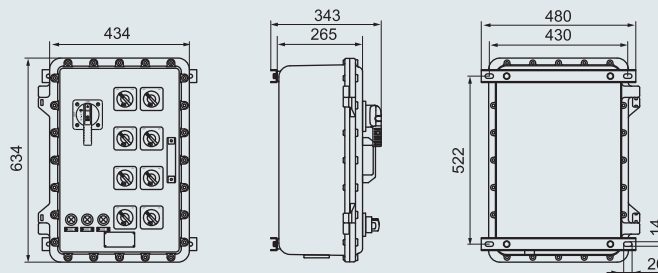
**Note:** The following drawings are suitable for copper-free aluminium products



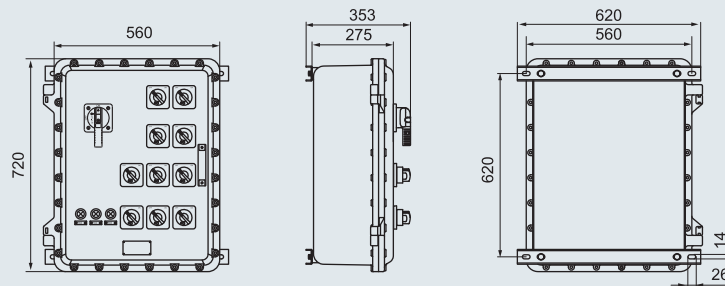
BXD81-4/□/□/□



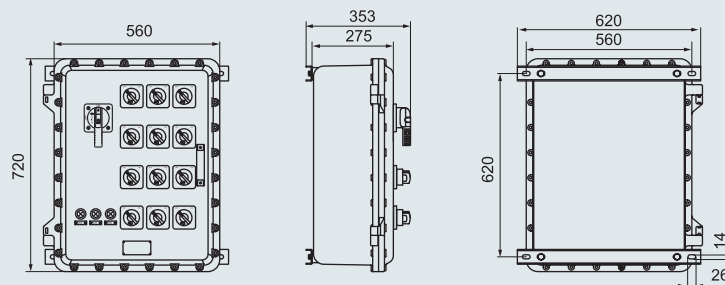
BXD81-6/□/□/□



BXD81-8/□/□/□



BXD81-10/□/□/□



BXD81-12/□/□/□

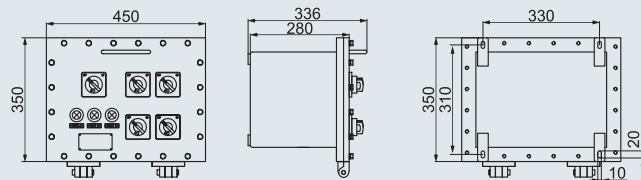


## Distribution Boxes

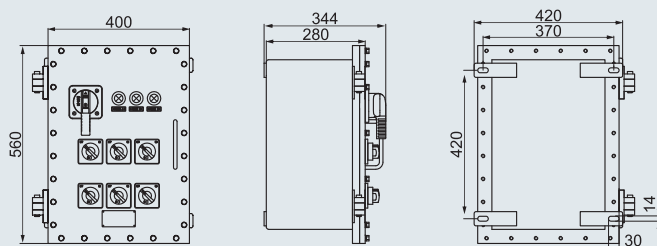
## BXM(D)81 Series Explosion-proof Illumination (Power) Distribution Boxes (Ex d IIB)

## Dimension drawings (all dimensions in mm) - subject to alteration

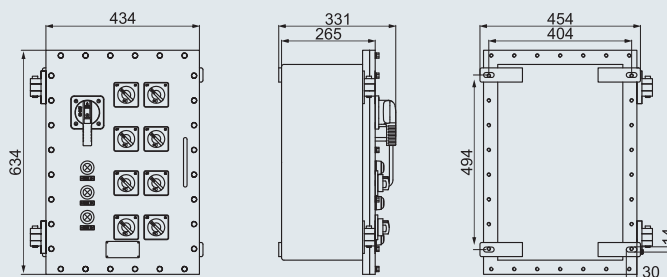
Note: The following drawings are suitable for carbon steel or stainless steel products



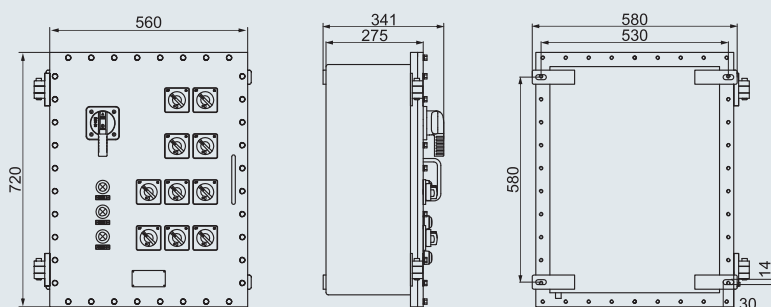
BXM(D)81-4/□/K/□



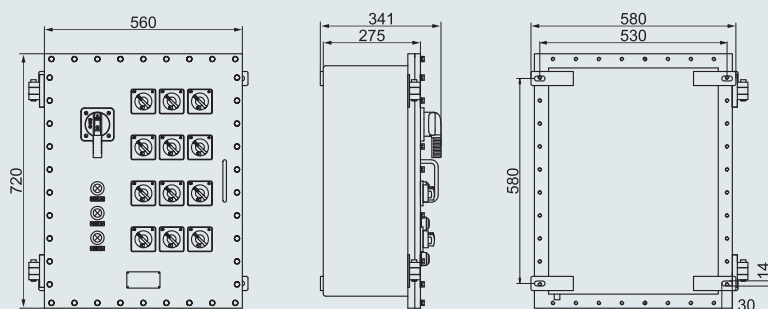
BXM(D)81-6/□/K/□



BXM(D)81-8/□/K/□



BXM(D)81-10/□/K/□



BXM(D)81-12/□/K/□